

INDUSTRIAL FITTINGS - couplings

Symmetrical couplings GUILLEMIN

GUILLEMIN couplings are designed for transfer installations and reloading of liquid, loose and granulated products. Not suitable for steam or gas transfer.

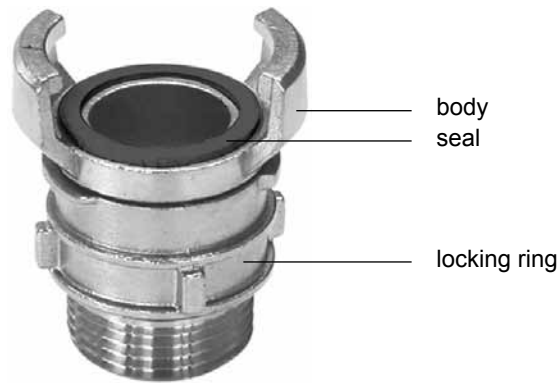
The coupling parts are symmetrical - both halves are identical. Manufactured according to EN 14420-8 / NF-E-29572 standard.

Maximum working pressure: 16 bar

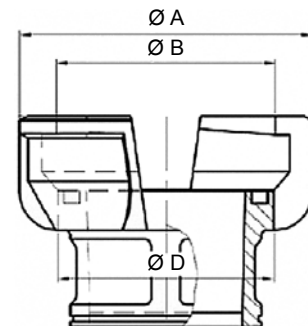
Material versions:


- aluminium (seal: white NBR rubber), working temperature: from -10°C up to +80°C
- AISI 316 (seal: black FKM rubber - Viton), working temperature: from -10°C up to +180°C

GUILLEMIN coupling - construction and dimensions:




DN [mm]	Ø A [mm]	Ø B [mm]	Ø D [mm]
20	47	32	31
25	54	37	37
32	58	42.5	41.5
40	75	55	54
50	92	69	68
65	108	84	83
80	131	103	101
100	151	123	121
150	236	193	190





Coupling with hose tail	code	DN [mm]	hose I.D. [mm]	material
		GU-W-051-A	50	51
	GU-W-063-A	65	63	
	GU-W-076-A	80	76	
	GU-W-081-A	80	81	
	GU-W-102-A	100	102	AISI 316
	GU-W-051-SS	50	51	
	GU-W-063-SS	65	63	
	GU-W-076-SS	80	76	
	GU-W-102-SS	100	102	

INDUSTRIAL FITTINGS - couplings

Symmetrical couplings GUILLEMIN

Coupling with male thread	code	DN [mm]	thread size [inch]	material
		GU-GZ-075-A	20	3/4"
GU-GZ-100-A		25	1"	
GU-GZ-125-A		32	1.1/4"	
GU-GZ-150-A		40	1.1/2"	
GU-GZ-200-A		50	2"	
GU-GZ-250-A		65	2.1/2"	
GU-GZ-300-A		80	3"	
GU-GZ-400-A		100	4"	
GU-GZ-075-SS		20	3/4"	AISI 316
GU-GZ-100-SS		25	1"	
GU-GZ-125-SS		32	1.1/4"	
GU-GZ-150-SS		40	1.1/2"	
GU-GZ-200-SS		50	2"	
GU-GZ-250-SS		65	2.1/2"	
GU-GZ-300-SS		80	3"	
GU-GZ-400-SS		100	4"	

Coupling with female thread	code	DN [mm]	thread size [inch]	material
		GU-GW-075-A	20	3/4"
GU-GW-100-A		25	1"	
GU-GW-125-A		32	1.1/4"	
GU-GW-150-A		40	1.1/2"	
GU-GW-200-A		50	2"	
GU-GW-250-A		65	2.1/2"	
GU-GW-300-A		80	3"	
GU-GW-400-A		100	4"	
GU-GW-075-SS		20	3/4"	AISI 316
GU-GW-100-SS		25	1"	
GU-GW-125-SS		32	1.1/4"	
GU-GW-150-SS		40	1.1/2"	
GU-GW-200-SS		50	2"	
GU-GW-250-SS		65	2.1/2"	
GU-GW-300-SS		80	3"	
GU-GW-400-SS		100	4"	

Blank cap with chain	code	DN [mm]	material
		GU-DP-075-A	20
GU-DP-100-A		25	
GU-DP-125-A		32	
GU-DP-150-A		40	
GU-DP-200-A		50	
GU-DP-250-A		65	
GU-DP-300-A		80	
GU-DP-400-A		100	
GU-DP-075-SS		20	AISI 316
GU-DP-100-SS		25	
GU-DP-125-SS		32	
GU-DP-150-SS		40	
GU-DP-200-SS		50	
GU-DP-250-SS		65	
GU-DP-300-SS		80	
GU-DP-400-SS		100	